

700T 浮吊下沉砗大圓筒

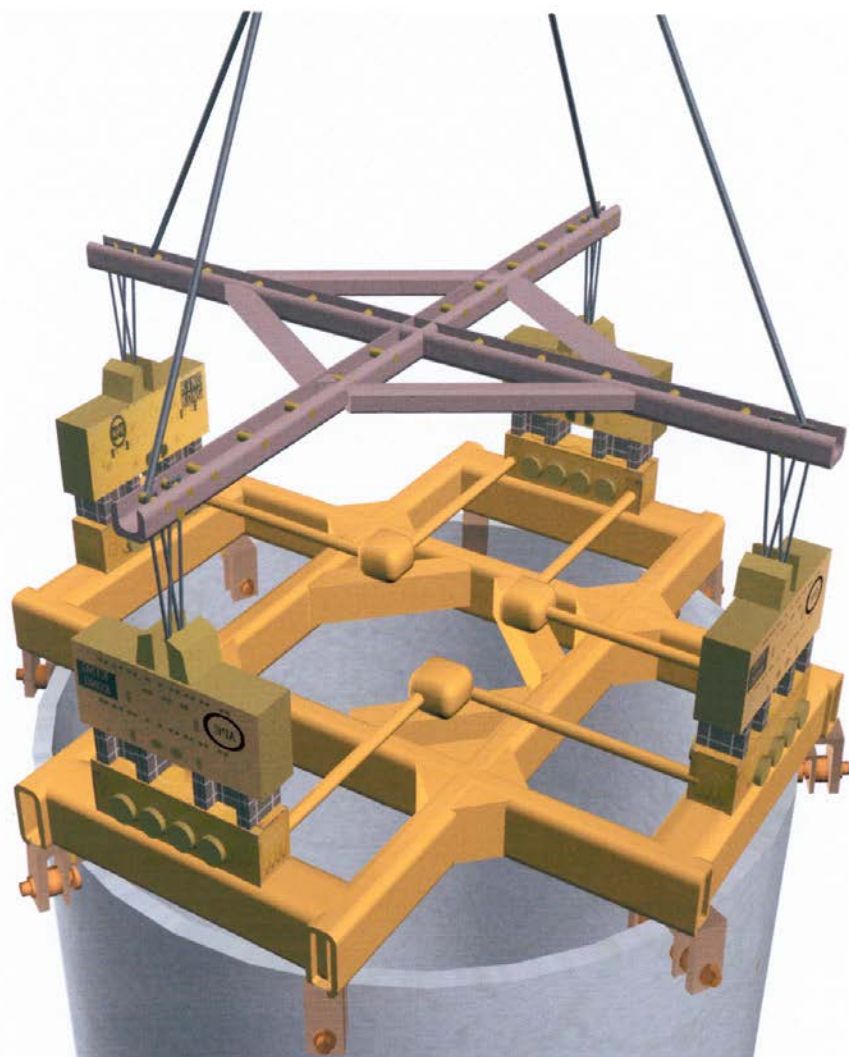


*APE Four King Kong System
driving 12 meter (40 foot diameter) Caissons*

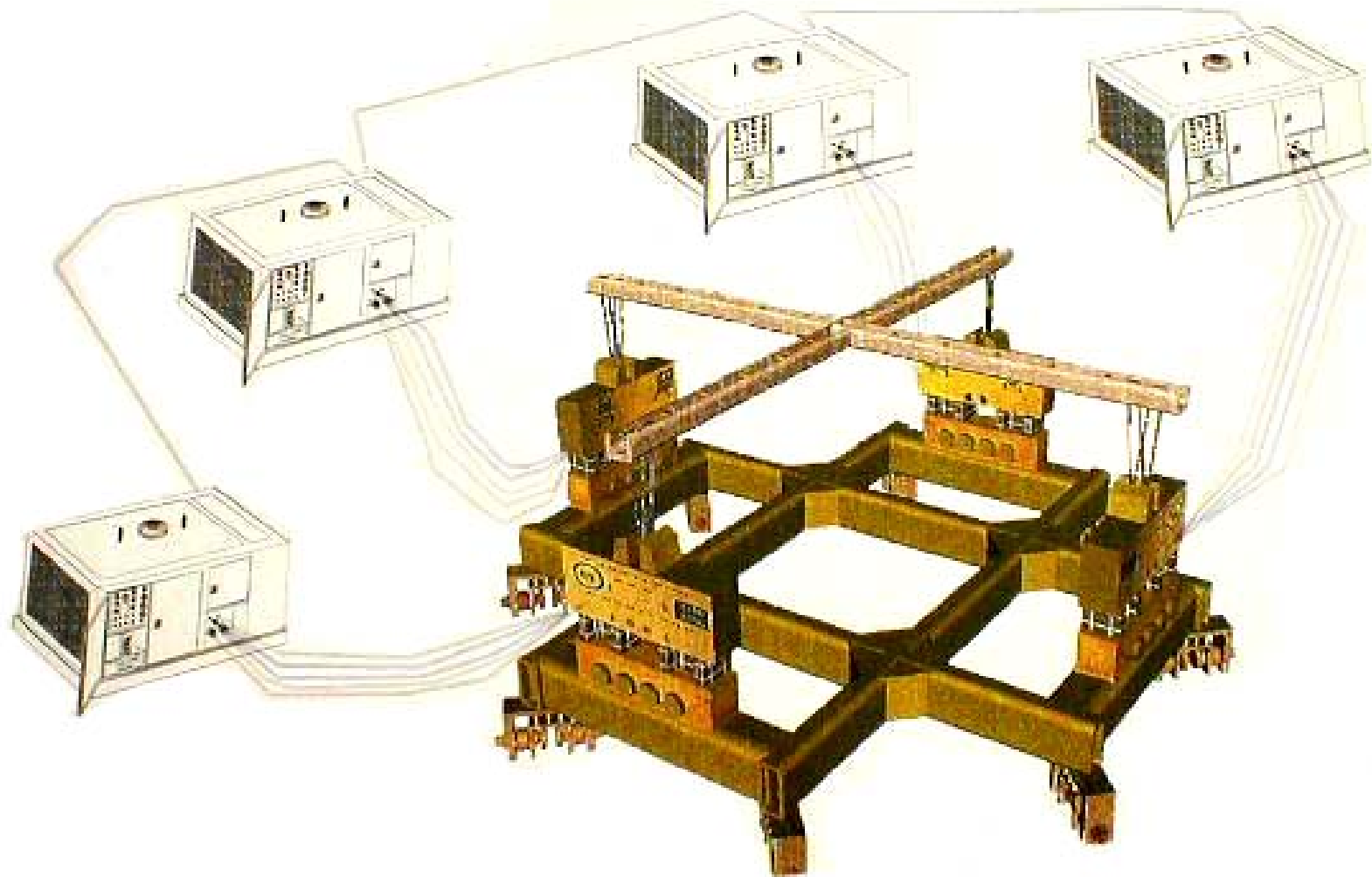


中交第四航务工程勘察设计院制
2001. 1. 10

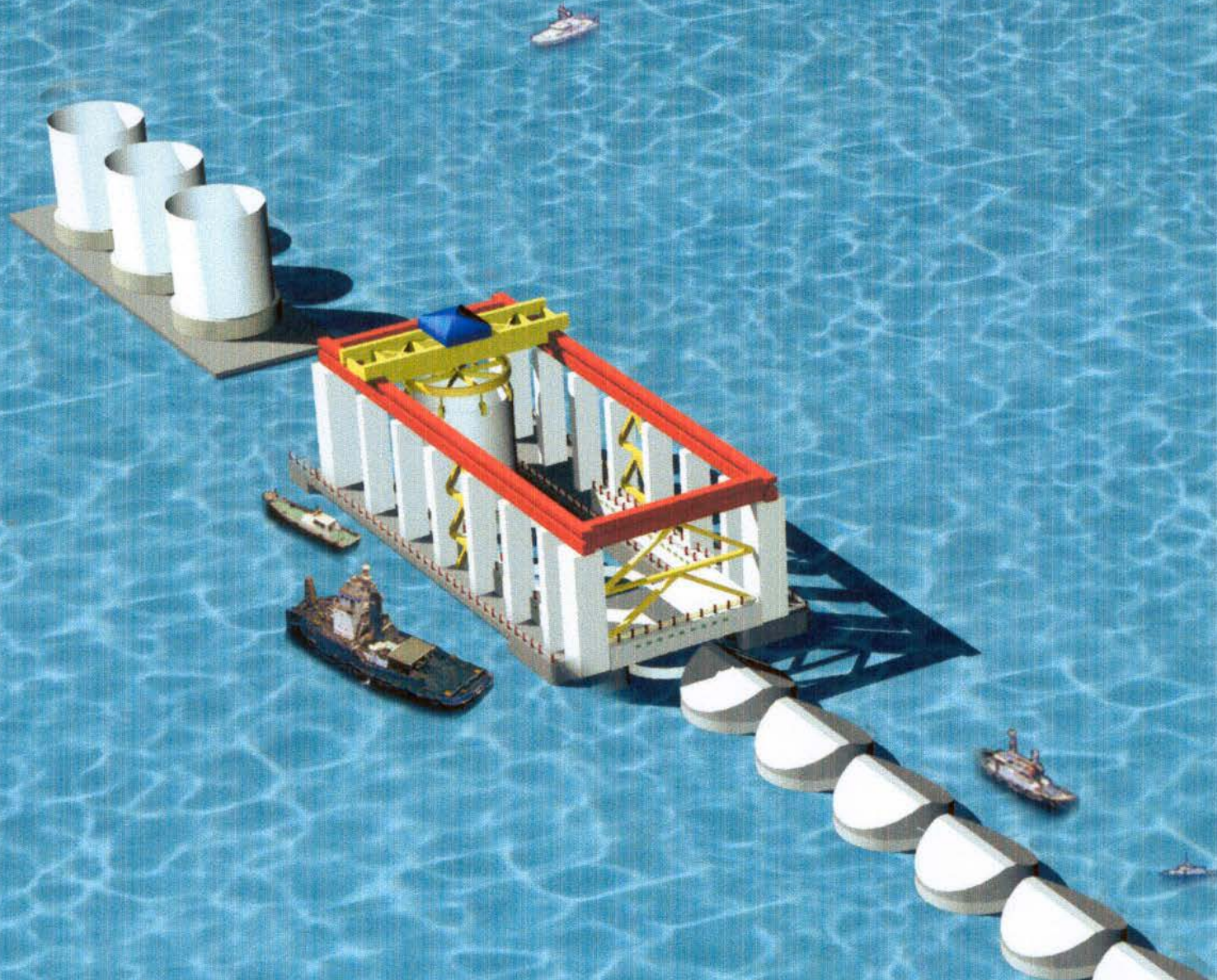
美国 APE400 型振动锤振动系统示意图



*APE Four Kong System
for 12 meter diameter (40 foot) caissons*



APE Four King Kong System Pile template and Crane





*APE Four King Kong System
Driving 40 foot diameter concrete caissons*

大圆筒振动下沉现场示意图



中交第四航务工程勘察设计院制
2001. 1. 10



UNIT 1 UNIT 2 UNIT 3 UNIT 4

UNIT 1	UNIT 2	UNIT 3	UNIT 4
0000	0000	0000	0000
0000	0000	0000	0000
0000	0000	0000	0000
POWER	MODE		
0000	0000		

UNIT 1 UNIT 2 UNIT 3 UNIT 4

CLAMP OPEN CLOSE CLAMP OPEN CLOSE CLAMP OPEN CLOSE CLAMP OPEN CLOSE

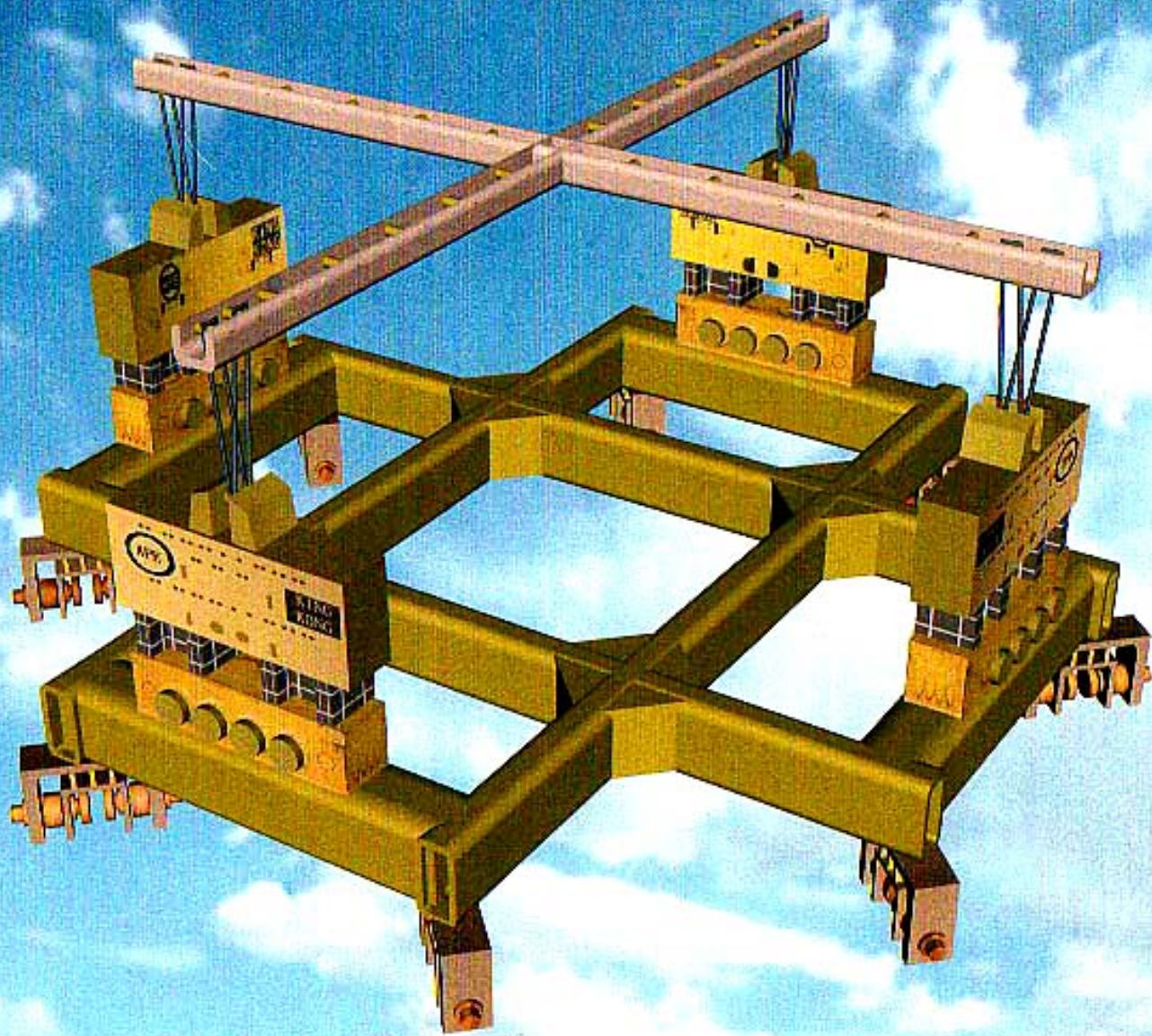
SOURCE LOWER RAISE DRIVE OFF FOR

EMERGENCY STOP

CONTROLLED POWER, INC.
1700 BIRCHWOOD DR. #100
BETHLEHEM, PA. 18015

CAUTION

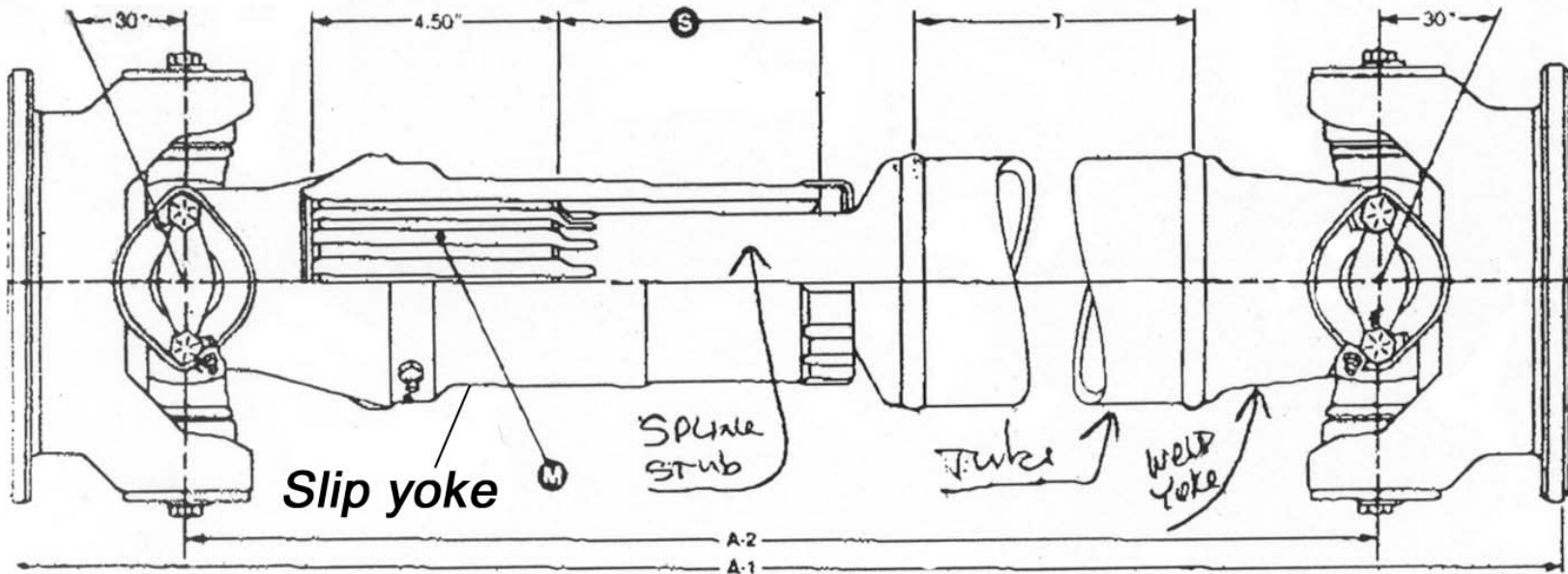
CAT





Drive Line Service of Seattle
206 762-2270 Fax 206 762-2846

**APE drive shaft - splicer - series 1810
for use on tandem and quad systems**



600吨

